

Flower Series

Advanced Biological Microscope

DAFFODIL MCX100



micros
AUSTRIA

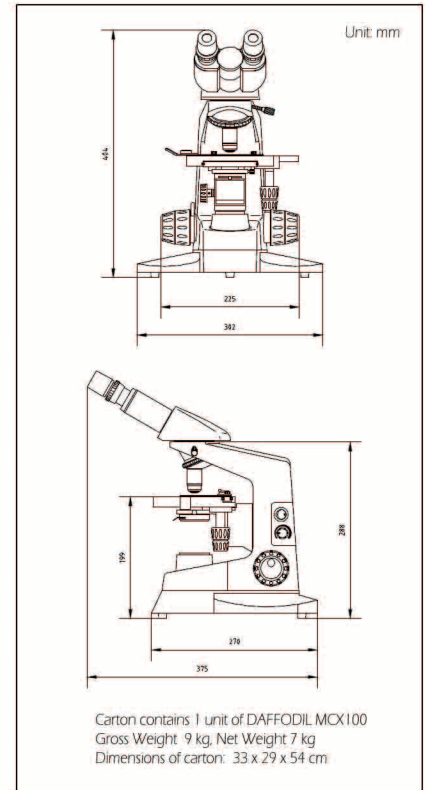
micros



micros
If you love microscopes!

Specification DAFFODIL MCX100

Magnification Range	40x - 1000x
Microscope Body	Sturdy, 270 x 250 mm base with supportive rubber feet
Nosepiece	Quadruple, forward-turned mechanism with multiple ball bearings, elastic nosepiece grip-ring
	Quadruple, reverse-angle mechanism with multiple ball bearings, elastic nosepiece grip-ring
Head	Binocular Arctype Siedentopf Head, 30° inclined, 360° rotatable, interpupillary distance 48 – 75 mm, provided with Anti-Fungus Treatment
Stage	Double layer mechanical specimen stage with low position, coaxial coarse and calibrated fine focus control with graduation reading 2 microns per division. Total focusing range 40 mm, safety stop unit. With flexible glass stage.
Condenser	Abbé brightfield condenser, n.A. 1.25, integrated iris diaphragm and filter tray
Eyepieces	WF 10x/20 widefield
Objectives	ICO Plan 4x/0.10
	ICO Plan 10x/0.25
	ICO Plan 40x/0.65, spring loaded
	ICO Plan 100x/1.25 oil, spring loaded
Illumination	Power supply in-built, 6V 20W halogen bulb adjustable for 110/220V, 50/60Hz or alternatively 5W LED illumination system
Power Cord	Detachable
Focusing Level	Adjustable
CA Tension Control	Adjustable
Accessories	Dust cover, blue filter, immersion oil, instruction manual, fuses, 2 pcs. PHILIPS 6V 20W halogen bulbs
Options	Aluminium case, different eyepieces, phototube, phasecontrast and darkfield attachment available. Eyepieces security lockable.



Optical System: The ICO Infinite objective series is chromatically corrected for the focus level and therefore ensures the highest image quality. The optical system is provided with Anti-Fungus treatment. **Illumination:** Bright and clear is essential! The DAFFODIL is equipped with a 6V/20W halogen illumination. If the bulb has to be replaced anyway, with the Quick Exchange System it will be done in a flash. Alternatively this model is also available with a economic 5W LED illumination system. **Head:** With an inclination of 30° and arctype tube it allows the greatest possible relief of the neck musculature. Adjustable interpupillary distance with diopter compensation from 55 to 75 mm can be individually adapted. Eyepieces are suitable for spectacle wearers. **Quadruple nosepiece:** Reverse angle permits to survey the complete surface of the sample and thus to scan the sample much faster. **Coarse Focus Pre-Adjustment** allows for an individual mobility adjustment of the coarse focus to meet with your requirements. **Focus Control Level** provides a fluent pre-focusing on the sharpness of the sample, quick retrieving of the once adjusted level of sharpness and it prevents any unintended damage of the sample or the objective's front lens. **Practical Handling** is required for people who regularly work with a microscope. Therefore the operation controls are positioned user-friendly and designed ergonomically. Convenient **Hand Grips** at the back on the frame make transportation easy. The **special Quick Exchange System** allows a swift replace of the light bulb by simply pulling the housing. After putting back it will be locked in place by a built-in magnet. **Photography:** The cross section of the microscope stand resembles the letter „Y“ which ensures great stability and therefore permits agitation free photography. Trinocular tube and necessary accessories are available. **Upgrading:** for phasecontrast and darkfield applications, as well as for video- & microphotography. **Transport Case:** A robust black/silver colored aluminium transport case is available. Separate compartments to store small parts. With lock and key. Dimensions: 50x33x34 cm, weight 6,2 kg.

Microscope designed by MICROS Austria. Specifications and equipment are subject to change without any obligation on the part of the manufacturer.

micros



RMS

Member of Royal Microscopical Society

MICROS AUSTRIA

Headquarter Austria
Breitenfurter Strasse 38
A-1120 Vienna
Tel: +43/1/802 72 70
Fax: +43/1/802 72 71
office@micros.at
www.micros.at

MICROS USA, LLC

6800 Garfield Avenue
Minneapolis
MN 55423
Cell phone: +1/612/770 38 85
Fax: +1/206/984 39 49
sales@micros-us.com
www.micros-us.com

MICROS IBEROAMERICA, LLC

3823 Tamiami Trail E, # 232
Naples, FL 34112
Tel.: +1/239/331 73 62
Fax: +1/239/793 11 09
info@micros-iberoamerica.com
www.micros-iberoamerica.com

MICROS RUSSIA & CIS

123610, Moscow
World Trade Center Moscow
Krasnopresnenskaya
nab.12, office 708
Tel: +7 (495) 967-07-25
Fax: +7 (495) 967-07-26
info@micros-at.ru
www.micros-at.ru

We are here for you!